

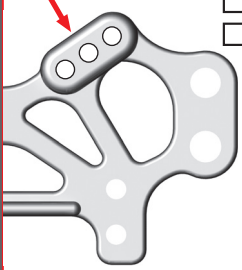
RC18R

For more setups and setup sheets, click here:
www.RC10.com • www.TeamAssociated.com
www.CompetitionX.com


Driver: _____ Date: _____
Track: _____ Indoor Outdoor
Event: _____
Conditions: _____
Additional Comments: _____

Reset
Form

Front Suspension

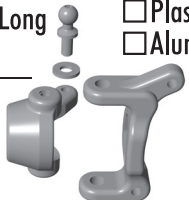
Shock Tower Mount Location 

Front Tower:
 Plastic
 Aluminum
 Carbon Fiber

Arm Mount Location 

Front Arm:
 Plastic Aluminum

Upright


Ballstud: Short Long 

Ballstud Washers: _____

Steering Block:
 Plastic
 Aluminum

Caster Block:
 Plastic
 Aluminum

Shocks

 Piston: _____ Oil: _____ wt
Spring: _____ Limiters: _____
Ride Height: _____ mm
Shock Body: Plastic Threaded Aluminum
Notes: _____

Alignment

Camber: _____°
Roll Center Shims: _____
Toe: _____°

Differential

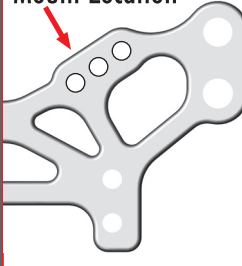
Diff Setting: _____
 Solid Axle
 Oneway

Drivebones


Plastic Dogbones
 Aluminum Dogbones
 CVD's

Notes: _____

Rear Suspension

Shock Tower Mount Location 

Rear Tower:
 Plastic
 Aluminum
 Carbon Fiber

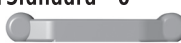

Arm Mount Location 

Rear Arm:
 Plastic Aluminum


Upright

Hub Carrier: 
 Plastic
 Aluminum

Anti-Squat

Standard - 0° 
 Optional - 3.5° 

Shocks

 Piston: _____ Oil: _____ wt
Spring: _____ Limiters: _____
Ride Height: _____ mm
Shock Body: Plastic Threaded Aluminum
Notes: _____

Alignment

Camber: _____°
Roll Center Shims: _____
Toe: _____°

Differential

Diff Setting: _____
 Solid Axle

Drivebones

Plastic Dogbones
 Aluminum Dogbones
 CVD's

Notes: _____

Chassis, Body & Wing

Chassis: Stock Other: _____ Body: _____ Wing: _____
Driveshaft: Stock Other: _____ Notes: _____

Tires

Front **Rear**
Type: _____ Type: _____
Insert: _____ Insert: _____
Wheel: _____ Wheel: _____
Traction Compound: _____
Notes: _____

Electronics

Motor: _____ Gear: _____ t/ _____ t
Motor Brush: _____ Motor Spring: _____
Battery: _____ Position: Fwd Back
ESC: _____ Mode: _____
Drag Brake: _____ Initial Brake: _____
Servo: _____

Race Comments

Main: _____ Qualifying Position: _____ Finish: _____
Notes: _____

Car Comments

Notes: _____

